

# Post Routing Template Kits

The routing template is primarily for use in the field. The kits contain a number of templates that allow the installer to rout a variety of holes that will accept the fence or railing profiles.

This system is ideal for situations which require stepping or racking, as well as transitions from one height or style to another.

In addition to the template kit, either a fixed base or a plunge router is required. The plunge router will require a 5/8" router template guide (purchase from your local tool dealer).

The fixed base router will require a 5/8" bearing (supplied in the template kit).

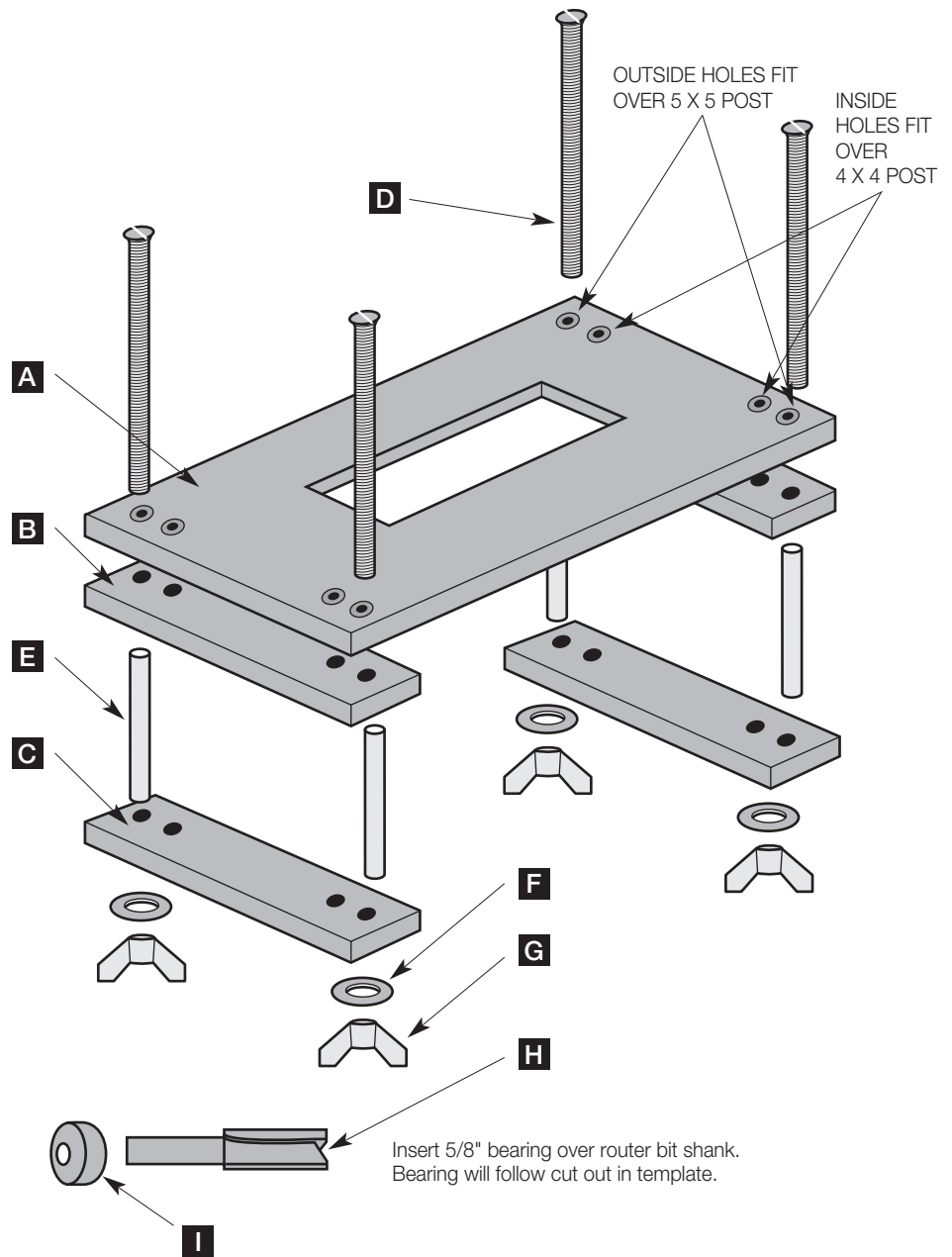
## CAUTION!

Follow manufacturer's recommendations for safe operating procedures.

### Important!

Routing templates have been specifically designed to be used with either a 5/8" bearing (fixed base router), or a 5/8" template guide (plunge router) and a 3/8" router blade with a 1/4" shank.

Any substitutions may result in an improper hole size or corner radius that could adversely affect the fit between the rail and post.



- A** ROUTING TEMPLATE
- B** 1-1/8" TEMPLATE SPACER PLATE
- C** 1-1/2" TEMPLATE SPACER PLATE
- D** 1/4" -20 X 6" BOLTS
- E** 3/8" OD PLEXI TUBE
- F** 1/4" FLAT WASHER
- G** 1/4" -20 WING NUT
- H** 3/8" ROUTER BIT W/ 1/4" SHANK
- I** 5/8" BEARING W/ 1/4" ID OPENING